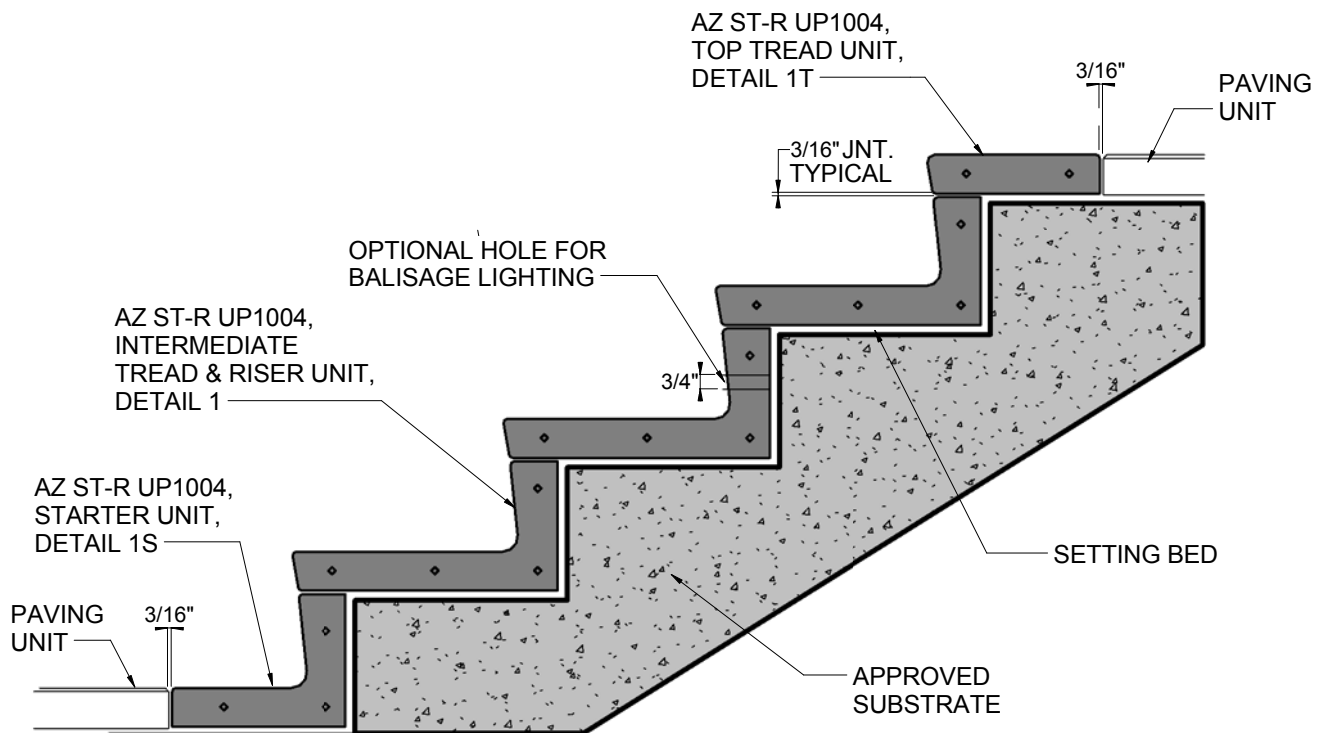


1 CROSS SECTION OF INTERMEDIATE TREAD & RISER



2 PARTIAL STAIR CROSS SECTION



Tile: AZ ST-R UP 1004 1 of 2

Scale: 1/8" = 1"

Date:

03/20/2015

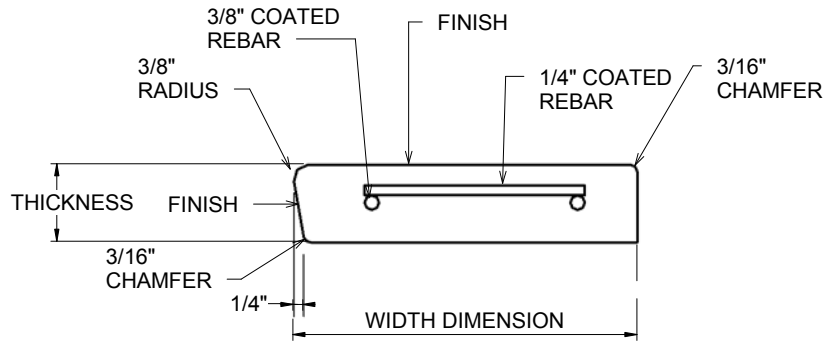
Measurement:

16 1/2 x 16 1/2 / 23 3/4 x 23 3/4 / 11 3/4 x 23 5/8

Options:

(201) 731-4249

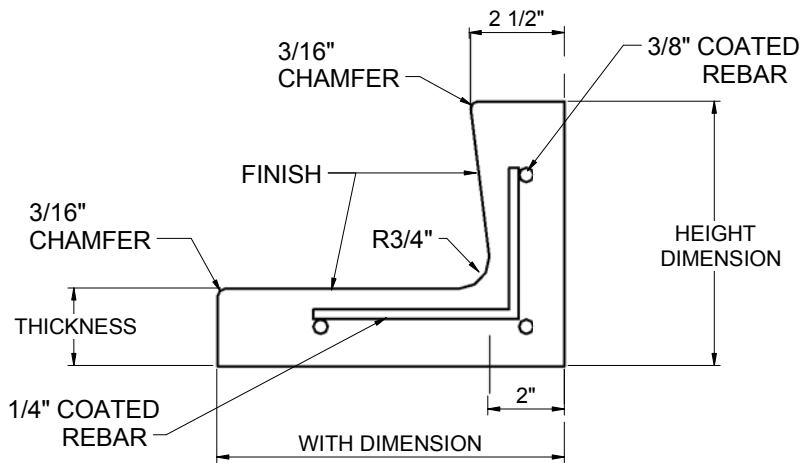
www.azzotile.com



1T CROSS SECTION OF TOP TREAD & RISER

PARAMETERS

LENGTH	3'-0" TO 4'-0"	4'-0 TO 6'-0"	6'-0" TO 8'-0"
MIN THICKNESS	1 3/4"	2"	2 1/4"



1S CROSS SECTION OF STARTER TREAD & RISER



Tile: AZ ST-R UP-1004 2 of 2

Scale: 1/8" = 1"

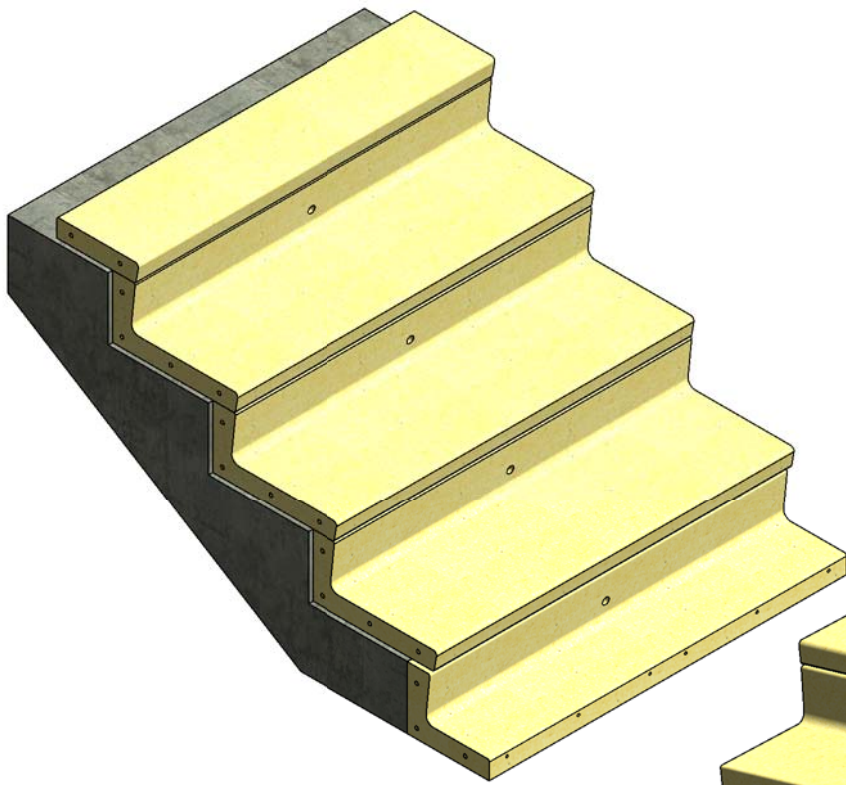
Date: 03/20/2015

Measurement: 16 1/2 x 16 1/2 / 23 3/4 x 23 3/4 / 11 3/4 x 23 5/8

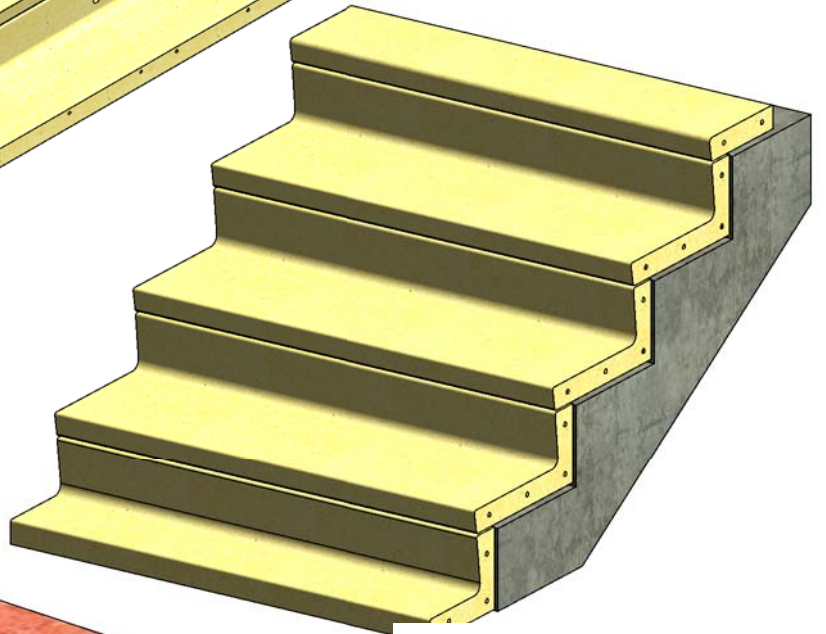
Options:

(201) 731-4249

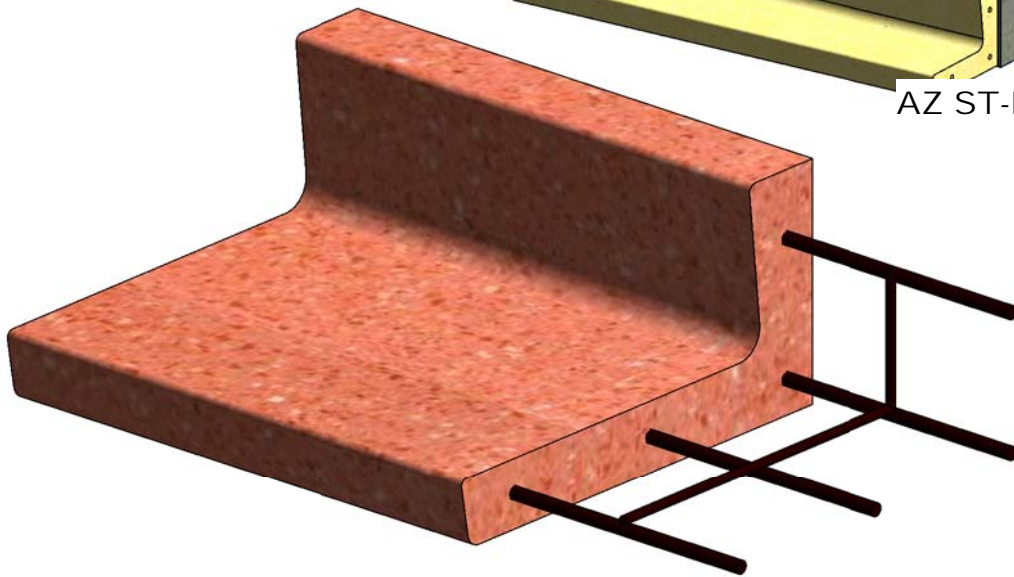
www.azzotile.com



AZ ST-R UP - 1004 Hole



AZ ST-R UP - 1004 Standard



Tile: AZ ST-R UP-1004 3D

Scale:

Date:

02/20/2015

Measurement:

16½ x 16½ / 23¾ x 23¾ / 11¾ x 23⅝

Options:

(201) 731-4249

www.azzotile.com